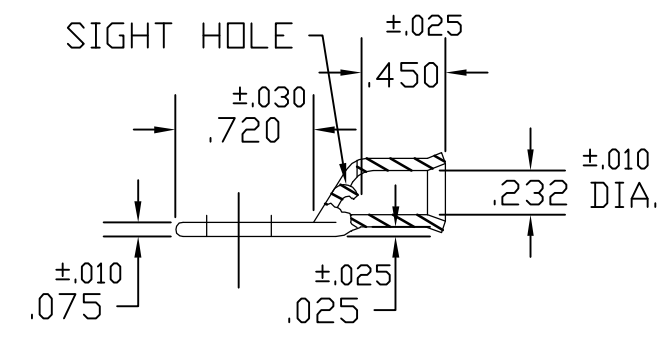
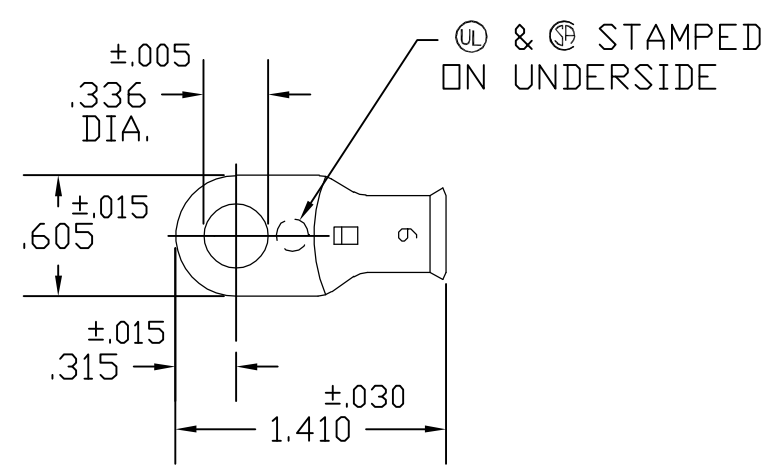


THIS DRAWING IS UNPUBLISHED. RELEASED FOR PUBLICATION
 © COPYRIGHT BY TYCO ELECTRONICS CORPORATION. ALL RIGHTS RESERVED.

LOC	DIST	REVISIONS					
		P	LTR	DESCRIPTION	DATE	DWN	APVD
G	50		B1	REV PER ECR 06-008550	20APR06	JR	DD



ACTIVE	6562-03	STANDARD	TIN PLATE	1526188-2
ACTIVE	6562-02	STANDARD	PLAIN	1526188-1
STATUS	AET P/N	PACKAGING	FINISH	PART NUMBER

THIS DRAWING IS A CONTROLLED DOCUMENT.		DWN D.A.A	10/27/00	Tyco Electronics Corporation Harrisburg, PA 17105-3608	
DIMENSIONS: INCHES		CHK H.D.F	10/27/00		
		APVD H.D.F	10/27/00	NAME 6 STANDARD TERMINAL W/SIGHT HOLE	
TOLERANCES UNLESS OTHERWISE SPECIFIED:		PRODUCT SPEC		RESTRICTED TO	
0 PLC ± - 1 PLC ± - 2 PLC ± - 3 PLC ± - 4 PLC ± - ANGLES ± -		APPLICATION SPEC		SIZE	CAGE CODE
MATERIAL COPPER ASTM B-152		FINISH		DRAWING NO A3 00779 C-1526188	
		WEIGHT		SCALE 1:1	
		CUSTOMER DRAWING		SHEET 1 OF 1	
				REV B1	